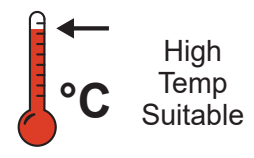
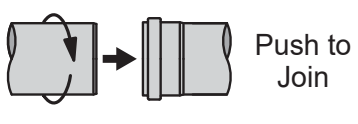




**WaterMark**  
AS/NZS 5065  
23348

**Installed quickly & easily, push together polypropylene drainage has the advantage when high temperatures and performance are critical.**



### Faster to Install

Push-together drainage systems offer superior installation times compared to welding, threading, grooving or glueing.

### Quality to Install

- Approved to WaterMark and International standards.
- Lightweight to handle, install and support on site.
- Superior temperature tolerance compared to uPVC or HDPE.

### Experience Counts

We've been working with consultants and installers on specialised solutions since 1992 with a focus on food processing, mining, commercial and industrial projects across Australia and New Zealand.

### Stronger Design

- Engineered 'mineral modified' polypropylene (PP-MD) material to provide SN10 and SN16 class material strength.
- Extremely strong pipe and fittings with increased wall thickness.

### Reliable Design

- 3-Lip Seal standard for fast installation and secure sealing.
- High abrasion resistant surface.
- Excellent chemical resistance.
- Suits a wide range of applications including sewer, stormwater, tradewaste and cable conduit.

### Environmental Choice

- Long lifespan and service life.
- Closed loop material (may be completely recycled).

© AusPress Systems Pty Ltd. No part of this document may be copied, altered or extracted without our written consent. No responsibility is taken for any errors or omissions, contained or implied by this document. Information may be updated or corrected at anytime without notice.



# Installation Guide

## Start to install drainage quicker...

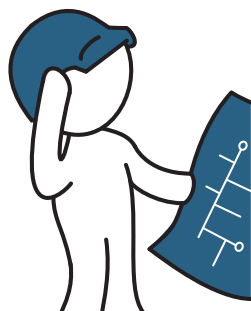
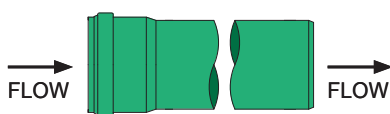
With the polypropylene pipe and fittings designed with a socket & spigot, joining is simply pushing the fittings together.

Refer to the technical section for installation recommendations & more information.

**Start here**

### Follow the flow rule...

Push together drainage is directional; the water flow must travel socket to spigot.



### Check for suitability...

Confirm the stainless steel and the ring seal (eg SBR) are suitable for the application and situation. Some chemicals and environments can be unsuitable, please ask us if unsure.

### Ring Seal Colours

SBR ring seals are supplied as standard unless ordered otherwise.

Colour	Material	Temperature*	
		Min	Max
Black	SBR	-20°C	90°C
Black	NBR	-20°C	90°C

\* Maximum continuous temperatures.

For ring seal suitability with chemicals and other applications, please contact us for assessment.

## This guide is only for standard applications.

For specific or specialised applications please contact us first - [www.auspress.com.au](http://www.auspress.com.au)

### Ordering & Design

Drainage pipe is available in different lengths (from 500mm to 6m) so choose the length closest to what is needed to reduce offcut waste.

### 1 Cut Pipe to Length

Cutting to length is easy using a suitable fine tooth hand saw or plastic pipe cutter;

- Cut the pipe square (wrap-around tape & mark) or,
- Use a cutting guide frame/box for assistance.

Pipes are supplied with a socket and a spigot end; cut off from the spigot end keeping the socket. Using offcut spigot-spigot pipe pieces is not recommended.

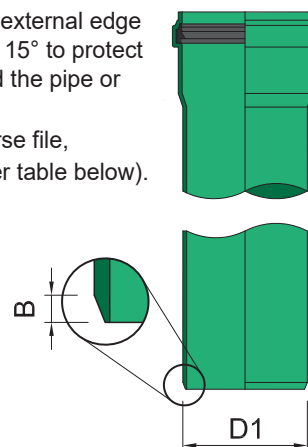
Note fittings are not to be cut.

### 2 Bevel the Cut End

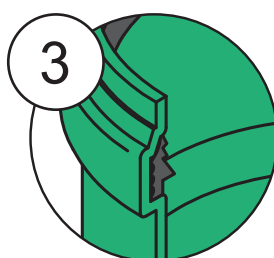
Each cut spigot requires the external edge to be bevelled to an angle of 15° to protect the ring seal and help to lead the pipe or fitting into the socket.:

- Use a bevelling tool or coarse file,
- Bevel the pipe to ~15° (refer table below).

D1	B
110	6
160	7
200	9
250	9
315	12
400	15
500	18



### 3



### Inspect & Lubricate the Ring Seal

In the socket, check that the ring seal is:

- The correct material specified and,
- With the mitred edge facing inwards and,
- Not damaged and is free of debris.

Apply a small amount of joining lubricant to the ring seal inside the socket. We stock a silicon based lubricant.

Do not use oil or grease as a lubricant, this may damage the ring seal material.

### 4

### Push, Twist & Pull

Using a slight twisting movement, push the spigot fully into the socket.

Mark the full insertion depth with a texta on the spigot end of the pipe/fitting.

Then, retract 10-12mm from the socket to allow for expansion & contraction to occur within each socket.



### ■ Pipe Length Socket - Spigot

Material: Polypropylene (PP-MD).  
Ring Seal: SBR x1 fitted.

Each length of polypropylene drainage pipe is supplied with a socket (fitted with a rubber ring seal) and spigot end.

Available in two load classes, SN10 and SN16.

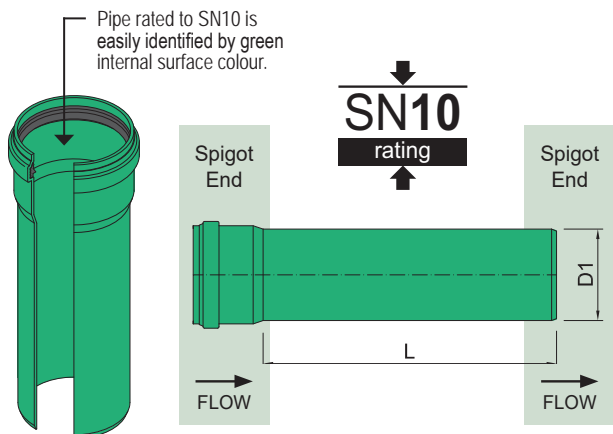
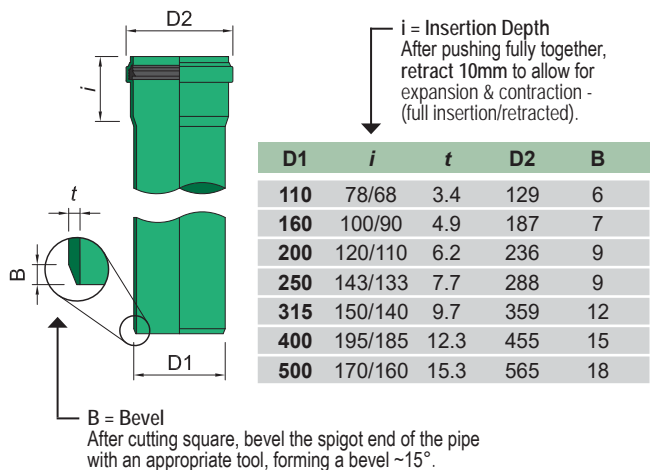
The pipe is ordered in various lengths to reduce offcut wastage on site.

**The system is directional; the water flow must travel from socket to spigot.**

An SBR ring seal is pre-fitted in the socket end and can be changed to another type of rubber type depending on requirements.

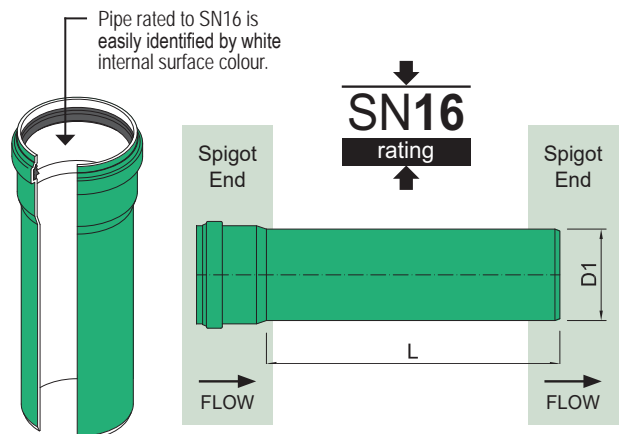
Our extensive technical experience is available to help with your individual project requirements or further information.

Refer to the technical section for installation information.



Product No	L	D1	Load Class	Weight (kg)	
				Dry	Wet †
KG.P10.0500.110	0.5m	110	SN10		
KG.P10.1000.110	1m	110	SN10		
KG.P10.2000.110*	2m	110	SN10		
KG.P10.5000.110	5m	110	SN10		
KG.P10.0500.160	0.5m	160	SN10		
KG.P10.1000.160	1m	160	SN10		
KG.P10.2000.160*	2m	160	SN10		
KG.P10.5000.160	5m	160	SN10		
KG.P10.0500.200*	0.5m	200	SN10		
KG.P10.1000.200*	1m	200	SN10		
KG.P10.2000.200*	2m	200	SN10		
KG.P10.5000.200	5m	200	SN10		
KG.P10.1000.250*	1m	250	SN10		
KG.P10.3000.250	3m	250	SN10		
KG.P10.6000.250*	6m	250	SN10		
KG.P10.1000.315*	1m	315	SN10		
KG.P10.3000.315*	3m	315	SN10		
KG.P10.6000.315*	6m	315	SN10		
KG.P10.1000.400*	1m	400	SN10		
KG.P10.3000.400*	3m	400	SN10		
KG.P10.6000.400*	6m	400	SN10		
KG.P10.1000.500*	1m	500	SN10		
KG.P10.3000.500*	3m	500	SN10		
KG.P10.6000.500*	6m	500	SN10		

\* Item available on request, lead time likely.



Product No	L	D1	Load Class	Weight (kg)	
				Dry	Wet †
KG.P16.1000.110*	1m	110	SN16		
KG.P16.3000.110*	3m	110	SN16		
KG.P16.6000.110*	6m	110	SN16		
KG.P16.1000.160*	1m	160	SN16		
KG.P16.3000.160*	3m	160	SN16		
KG.P16.6000.160*	6m	160	SN16		
KG.P16.1000.200*	1m	200	SN16		
KG.P16.3000.200*	3m	200	SN16		
KG.P16.6000.200*	6m	200	SN16		
KG.P16.1000.250*	1m	250	SN16		
KG.P16.3000.250*	3m	250	SN16		
KG.P16.6000.250*	6m	250	SN16		
KG.P16.1000.315*	1m	315	SN16		
KG.P16.3000.315*	3m	315	SN16		
KG.P16.6000.315*	6m	315	SN16		
KG.P16.1000.400*	1m	400	SN16		
KG.P16.3000.400*	3m	400	SN16		
KG.P16.6000.400*	6m	400	SN16		
KG.P16.1000.500*	1m	500	SN16		
KG.P16.3000.500*	3m	500	SN16		
KG.P16.6000.500*	6m	500	SN16		

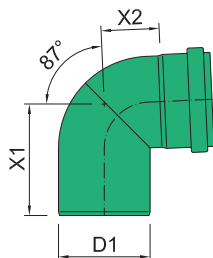
\* Item available on request, lead time likely.

AusPress Drainage  
**CIVIL**



**Bend 87° Socket - Spigot**

Material: Polypropylene (PP-MD).  
Ring Seal: SBR x1 fitted.

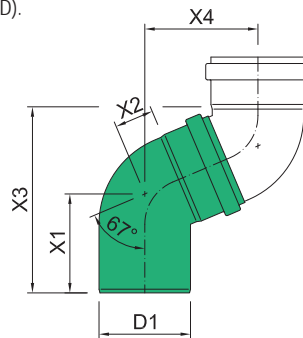


Product No	D1	X1	X2
KG.B.87.110	110	137	65
KG.B.87.160	160	180	91

**Bend 67° Socket - Spigot**

Material: Polypropylene (PP-MD).  
Ring Seal: SBR x1 fitted.

Double bend arrangements shown for offset dimensions only - each bend sold separately.



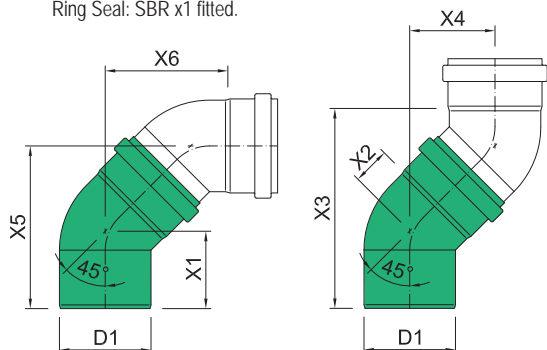
Product No	D1	X1	X2	X3	X4
KG.B.67.110	110	119	47	235	162
KG.B.67.160	160	161	69	324	221

\* Item available on request, lead time likely.

**Bend 45° Socket - Spigot**

Material: Polypropylene (PP-MD).  
Ring Seal: SBR x1 fitted.

Double bend arrangements shown for offset dimensions only - each bend sold separately.



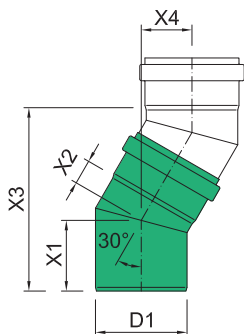
Product No	D1	X1	X2	X3	X4	X5	X6
KG.B.45.110	110	94	29	217	94	188	123
KG.B.45.160	160	144	45	330	141	285	186
KG.B.45.200	200	189	57	427	181	370	238
KG.B.45.250	250	199	77	478	202	401	279
KG.B.45.315*	315	233	98	572	241	474	339
KG.B.45.400*	400	283	120	695	292	575	412
KG.B.45.500*	500	334	254	1,011	423	757	677

\* Item available on request, lead time likely.

**Bend 30° Socket - Spigot**

Material: Polypropylene (PP-MD).  
Ring Seal: SBR x1 fitted.

Double bend arrangements shown for offset dimensions only - each bend sold separately.



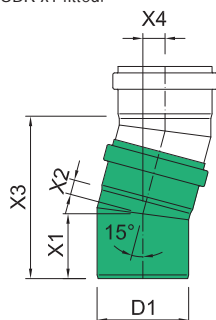
Product No	D1	X1	X2	X3	X4
KG.B.30.110*	110	95	23	229	64
KG.B.30.160*	160	125	34	305	85
KG.B.30.200*	200	162	46	397	109
KG.B.30.250*	250	297	217	968	262

\* Item available on request, lead time likely.

**Bend 15° Socket - Spigot**

Material: Polypropylene (PP-MD).  
Ring Seal: SBR x1 fitted.

Double bend arrangements shown for offset dimensions only - each bend sold separately.



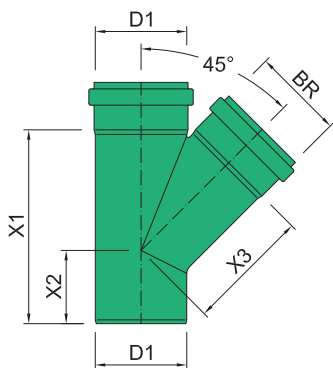
Product No	D1	X1	X2	X3	X4
KG.B.15.110	110	87	16	212	29
KG.B.15.160	160	120	19	283	39
KG.B.15.200	200	158	31	381	52
KG.B.15.250	250	163	44	417	56
KG.B.15.315	315	188	56	489	66
KG.B.15.400	400	220	67	574	77
KG.B.15.500	500	263	183	886	118

\* Item available on request, lead time likely.



■ **Single Junction 45°**

Material: Polypropylene (PP-MD).  
Ring Seal: SBR x2 fitted.

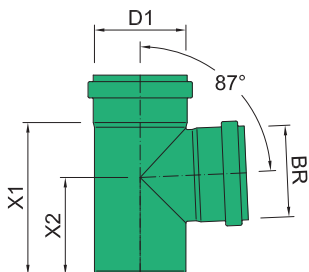


Product No	D1	BR	X1	X2	X3
KG.J.45.110	110	110	228	94	134
KG.J.45.160	160	160	320	125	195
KG.J.45.200	200	200	433	189	244
KG.J.45.250	250	250	500	189	311
KG.J.45.315*	315	315	617	224	393
KG.J.45.400*	400	400	914	231	683
KG.RJ.45.160.110	160	110	250	88	168
KG.RJ.45.200.160	200	160	380	162	221
KG.RJ.45.250.160	250	160	500	189	258
KG.RJ.45.315.160*	315	160	442	192	301
KG.RJ.45.315.200*	315	200	617	224	325
KG.RJ.45.400.160	400	160	544	18	394
KG.RJ.45.400.200	400	200	601	46	417
KG.RJ.45.400.315*	400	315			
KG.RJ.45.500.160*	500	160	610	80	490
KG.RJ.45.500.315*	500	315			

\* Item available on request, lead time likely.

■ **Single Junction 87°**

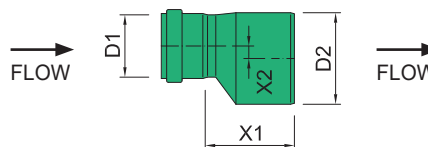
Material: Polypropylene (PP-MD).  
Ring Seal: SBR x2 fitted.



Product No	D1	BR	X1	X2
KG.J.87.110	110	110	197	133
KG.J.87.160	160	160	279	188
KG.RJ.87.160.110	160	110	227	87

■ **Increaser Eccentric Socket > Spigot**

Material: Polypropylene (PP-MD).  
Ring Seal: SBR x1 fitted (D1).

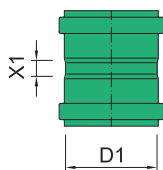


Product No	D1 → D2	X1	X2
KG.IE.160.110	110 160	135	25
KG.IE.200.160	160 200	175	20
KG.IE.250.200	250 200	181	25
KG.IE.315.250*	250 315	215	33
KG.IE.400.315*	315 400	271	43
KG.IE.500.400*	400 500	312	50

\* Item available on request, lead time likely.

■ **Double Socket with Centre Stopper**

Material: Polypropylene (PP-MD).  
Ring Seal: SBR x2 fitted.

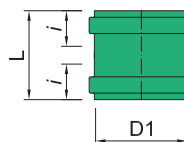


Product No	D1	X1
KG.DS.110	110	
KG.DS.160	160	
KG.DS.200	200	
KG.DS.250	250	
KG.DS.315*	315	
KG.DS.400*	400	
KG.DS.500*	500	

\* Item available on request, lead time likely.

■ **Repair Coupling Socket - Spigot**

Material: Polypropylene (PP-MD).  
Ring Seal: SBR x2 fitted.



Designed with no centre stopper so the repair coupling can slide entirely over pipe for new fittings to be added and then slid back over the joint.

Mark min insertion depth on both spigots to ensure adequate insertion.

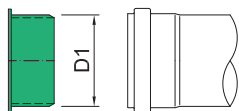
Product No	D1	L	i (min)
KG.RC.110	110	141	68
KG.RC.160	160	185	90
KG.RC.200	200	239	110
KG.RC.250	250	275	133
KG.RC.315*	315	299	140
KG.RC.400*	400	345	185
KG.RC.500*	500	394	160

\* Item available on request, lead time likely.

AusPress® Drainage  
**CIVIL**

**Plug**

Material: Polypropylene (PP-MD).



**Installing?**  
 - Leave the ring seal in the KG2000 pipe socket.  
 - Fully insert the plug into the socket.

If the Plug requires to be secured in place, order a Joint Clamp (sold separately).

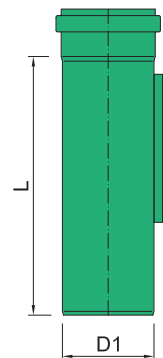
Pipe length shown for clarity, not included.

Product No	D1
KG.PG.110	110
KG.PG.160	160
KG.PG.200*	200
KG.PG.250*	250
KG.PG.315*	315
KG.PG.400*	400
KG.PG.500*	500

\* Item available on request, lead time likely.

**Inspection Pipe**

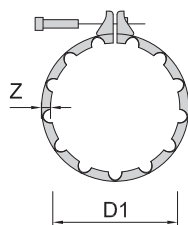
Material: Polypropylene (PP-MD).  
 Ring Seal: SBR x1 fitted.



Product No	D1	X1
KG.IP.110	110	308
KG.IP.160	160	380
KG.IP.200	200	410

**Joint Clamp**

Material: Metal.



Working Pressures (bar)	
Without Clamp	With Clamp
up to 0.5	up to 0.5
up to 0.5	up to 0.5
up to 0.5	up to 0.5

Socket Clamps are needed where possible pressures or force on a joint could dislodge the spigot or cap from the socket.

Joints without a clamp are rated up to positive 0.5 bar pressure.

**Installing?**  
 Fit the Socket Clamp over the bump of the socket (as shown dashed above) noting the correct direction...  
 - Small lip edge (fit over the socket),  
 - Large lip edge (fit over the spigot).

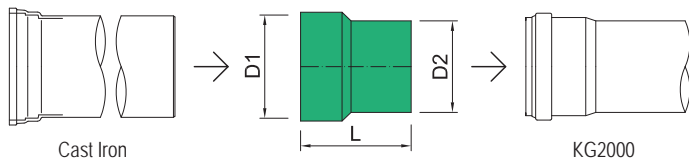
Pipe length shown for clarity, not included.

Product No	D1
KG.SCL.110	110
KG.SCL.160*	160
KG.SCL.200*	200

\* Item available on request, lead time likely.

**Adaptor: Cast Iron**

Material: Polypropylene (PP-MD).



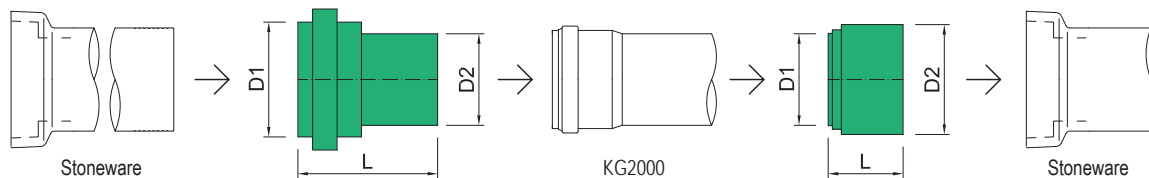
Product No	D1 → D2	L
KG.CI.110*	124 110	133

\* Item available on request, lead time likely.

**Installing?**  
 - Lubricate the Cast Iron spigot.  
 - Fully insert into the PP-MD fitting socket.  
 - Bracket/Support suitably to prevent separation.  
 - Observe the flow rule (arrow direction).

**Adaptor: Stoneware**

Material: Polypropylene (PP-MD).  
 Ring Seal: SBR x1 fitted (D1) in each fitting.



Product No	D1 → D2	L
KG.SWS.110*	138 110	168
KG.SWS.160*	194 160	226

\* Item available on request, lead time likely.

Product No	D1 → D2	L
KG.SWSP.110*	110 132	90
KG.SWSP.160*	160 187	97

\* Item available on request, lead time likely.

**Installing?**  
 - Lubricate the stoneware spigot.  
 - Fully insert into the PP-MD fitting socket.  
 - Bracket/Support suitably to prevent separation.  
 - Observe the flow rule (arrow direction).

**Installing?**  
 - Lubricate the polypropylene spigots.  
 - Fully insert into both the PP-MD & stoneware sockets.  
 - Bracket/Support suitably to prevent separation.  
 - Observe the flow rule (arrow direction).



# Technical Guide

## AusPress Polypropylene Drainage Products

The following information is only a guide. All work must comply with AS/NZ 3500 and any other relevant standards applicable to the installation.

**For specific installation assistance, or if you're in doubt, please contact us before proceeding.**

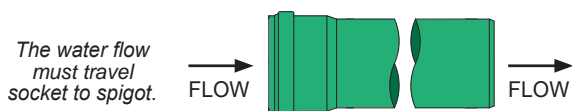
As with all work using tools, the following points are to be adhered to and understood, along with the general safety practices such as wearing suitable clothing and equipment, being alert and focused, keeping the work area clear of obstacles and observing WHS (OH&S) requirements.

### Installing KG2000 Drainage

#### Polypropylene Drainage Pipe & Fittings

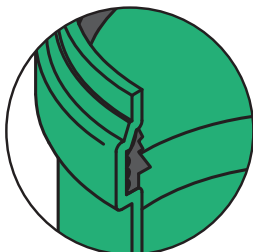
The socket-spigot polypropylene (PP-MD) drainage system comprises directional pipe and fittings (installed with flow into the socket, out the spigot) with the socket pre-fitted with a rubber ring to seal each join.

Refer to the installation guide at the front of the catalogue section for more information.



#### 1. Ring Seals

- Ring seals are fitted to each socket end with an SBR type supplied pre-fitted as standard.
- Check the ring seal is free of debris and the correct type of seal is fitted for the application and temperatures to be used.
- Not sure? Ask!**
- Ensure the 3-lip ring seal is fitted correctly with taper facing inward (see image).
- Replace the seal if damaged, unsure or incorrect. Remove the seal to see the type labelled on the inside flat surface of the ring seal.



Material	Colour	Application <sup>†</sup>	Temp Range
<b>SBR</b> (Styrene-butadiene)	Black	General use.	-20° to +90°C
<b>NBR</b> (Nitrile butadiene)	Black	Gas, oil, fuels.	-20° to +90°C

<sup>†</sup> Confirm suitability with AusPress prior to installation.

#### 4. Joining

- Apply lubricant to ring seal & outside of spigots.
- Preferred lubricant is silicon based (such as Super Glidex) but an approved soap based lubricant can also be used. Grease is not to be used as this may damage ring seals.
- Push the spigot into the socket fully with a slight turning movement.
- Mark the spigot end to identify the full insertion depth with a waterproof permanent texta.
- Joint is then pulled back 10-12mm to allow for expansion and contraction within the socket.

#### 4. In-Ground Installation

The KG2000 system is suitable for in-ground installation;

- Bedding and surrounding fill is to support the full length of the pipework and,
- A minimum bed thickness of 100mm fine soil or sand below the pipework (150mm if trench rocky or solid for example concrete) and,
- In heavy duty areas (SLW 60) coverage shall be between 0.8 and 6m in depth above the pipework to the underside of ground level or structure (such as road base).

#### 5. Good Practice

- Preference installing 45° branches.
- All main horizontal 90 degree direction changes should be made using 2 x 45° bends with a minimum 150mm length between.
- Venting procedures must comply with AS/NZ 3500.

#### 6. Welding

If welding is to be carried out, written approval must be obtained from AusPress first.

#### Bracketing (Suspended & Vertical)

- Bracketing is to comply with AS/NZ 3500.
- Spacing distances apply to continuous straight lengths.
- Installation is to be designed to suitably support the drainage system at full volume and accommodate any external loads or movement (thermal or otherwise).
- At joins in the suspended drainage, additional fixing points must be placed that either the branch, or the through pipe, is held directly under the sleeve (not on the socket part).
- Changes in direction shall be supported with suitable bracketing to prevent movement & the join separating.
- Consideration for forces against change in directions (including vertical drops) must be provided to suit and securing any joins as part of the installation (such as thrust blocks).

Diameters:		110 - 315mm	400 & 500mm
Support Spacing (max)	Graded	1.0m	Not Suitable
	Vertical	2.0m	2.0m

As per AS 3500, Table 9.1. AS 3500 is limited to DN300 (315mm) in diameter. Engineer assessment and confirmation is recommended.



### Working with Concrete

Polypropylene is suitable to be embedded in concrete with the following precautions;

- Protect the joint to prevent concrete entering the socket,
- Ensure the pipes do not uplift with supports consistently along the drainage to prevent sagging points,
- Thermal movement is allowed for the installation.

### Fire Collars

When passing through fire-rated building elements, the installation of a fire collar is not to be positioned over the socket part of the pipe or fittings. Collars are to be installed as per manufacturers instructions. Consult standards for local requirements.

### Chemical Suitability

Although highly chemical resistant, some chemicals are not suitable for polypropylene, diluted or otherwise. Please confirm suitability with the chemical manufacturer before use or contact AusPress for an assessment.

Complete a Project Info Sheet with the relevant MSDS and details from our website.

### Expansion & Contraction

Pipes in any direction (including horizontal suspended and horizontal in-ground) must be supported to prevent the force arising through heat expansion can neither bend the pipes nor pull the spigot ends from the sockets.

The formula  $E=L\Delta T\alpha$  calculates the expected expansion of polypropylene (PP) with change in temperature where  $\alpha=0.035 \times 10^{-6}m/mK$ . The thermal coefficient of PP is much lower than other plastics including HDPE and PVC.

Ensure the spigot ends are retracted the 10-12mm from the socket after full insertion.

## Commissioning & Maintenance

In most environments, little or no maintenance is necessary.

Ensure wash down waters or waste debris do not contain chemicals that are not suitable for polypropylene.

In especially demanding environments, such as food processing, chemical industries and agriculture, it may be necessary to clean to avoid coating. Cleaning can be carried out with high-pressure cleaning or high pressure flushing equipment using potable water. Avoid scratching or roughing the pipe surface with equipment.

In cases of difficulty, users should consult us for technical advice.

### Disinfecting the System

This is carried out to meet more stringent hygiene requirements and in the event of severe microbial contamination. Contact us for more information.

To protect the environment and simplify handling, the Australian Drinking Water Guidelines (ADWG) recommend the use of hydrogen peroxide, however chlorine can also be used to disinfect.

Before commissioning the system carefully follow the instructions for use, particularly in relation to the contact time, maximum solution concentration and subsequent flushing requirements.

**Note:** During disinfection do not exceed the maximum chlorine concentration and contact times as tabled below:

- The Australian water regulations allow dosing with up to 1.2mg/l of free chlorine in the disinfectant solution, provided a limit of 0.3mg/l of free (active) chlorine is not exceeded in the drinking water.
- Quantities can be increased to 6mg/l and 0.6mg/l respectively in exceptional circumstances for example, high or increased micro bacterial contamination.

### Flushing the System

It is sufficient to simply flush the system with potable (drinking) water.

When using any solution, ensure the system is flushed correctly and the manufactures instructions are followed in an accurate and safe manner at all times.

Chemicals are to be confirmed suitable with polypropylene and within temperature limits of the system prior to flushing the system.

### Commissioning

Systems must be commissioned in accordance with the applicable standards and regulations.

The installation contractor must familiarise the user(s) with the system. This is to be documented with a hand-over and acceptance record.

The user must also be provided with the manufacturer's maintenance and operating instructions for all installed valves and equipment.